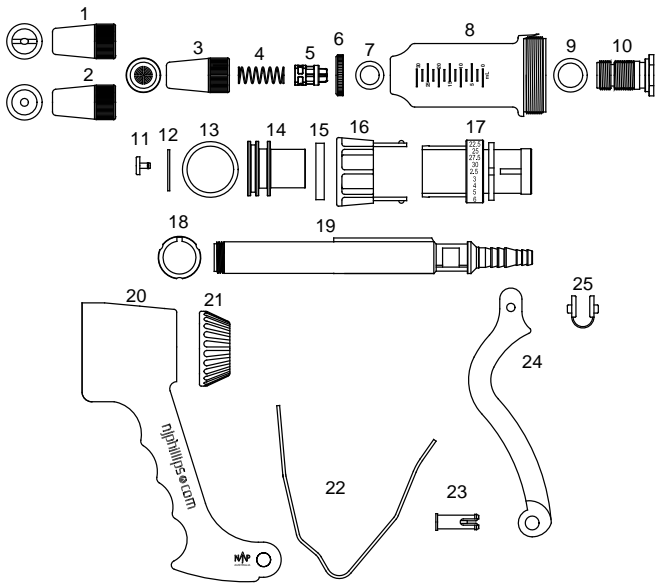




- Administers a variety of animal health products.
- Easy access for cleaning with external valves and removable cylinder.
- Supplied with Swirl, Stream and Fan Nozzle.



## PARTS BREAKDOWN



- |                                     |                                       |
|-------------------------------------|---------------------------------------|
| 1. Fan Nozzle (SH1038)              | 14. Piston (SH1233)                   |
| 2. Stream Nozzle (SH1037)           | 15. Lubricating Washer (SF1)          |
| 3. Swirl Nozzle (SH1120)            | 16. Dose Adjustor (SH981)             |
| 4. Delivery Valve Spring (SP1108-A) | 17. Dose Adjustor Sleeve (SH1209)     |
| 5. Delivery Valve (SH1446/C4)       | 18. Dose Adjustor Guide Ring (SH1020) |
| 6. Delivery Cage Lock Nut (SH1044)  | 19. Pushrod (SH1099)                  |
| 7. Nozzle Seal Ring (SP323)         | 20. Handle (SH1588)                   |
| 8. Cylinder (SH1235)                | 21. Dose Collar (SH983)               |
| 9. Delivery Cage Seal Ring (SP341)  | 22. Return Spring (SP287)             |
| 10. Delivery Cage (SH1039)          | 23. Lever Pin (SH200)                 |
| 11. Piston Retainer Valve (SH1111)  | 24. Lever (SH198/G4)                  |
| 12. Inlet Valve (SH1218)            | 25. Lever Pad (SP1210)                |
| 13. Piston O-Ring (SP1008)          |                                       |

MODEL	DOSE RANGE	INCREMENTS
30ml	2.5ml – 30ml	2.5,3,4,5,6,7,7.5,8,9,10,11,12,12.5,13,14,15,16,17,17.5,18,19,20,22.5,25,27.5,30ml

KIT NO.	PART NAME	PART NO.
WX1440	Nozzle Tips & Valve Assembly	1,2,3,4,5.
WX1441	Minor Kit	4,5,7,9,13,15,23,25.
WX1442	Major Kit	4,5,7,8,9,13,15,23,25.
WX1439	Spray Nozzle Assembly	Not illustrated or supplied, this is an optional extra.

PLEASE ORDER BY KIT AND PART NAME

## NOZZLES AVAILABLE



## SUITABLE FOR USE WITH

\* **MAGNUM®** Magnum® is a registered trademark of Schering-Plough Animal Health Corporation.



\* NJ Phillips takes no responsibility for any changes made to pharmaceutical products listed under "Suitable for Use With" which may cause an instrument to work other than expected, as changes in chemical composition may effect components of an instrument.



Customise this instrument with your brand colour and logo. Contact us for details.



**njphillips.com**  
Our expertise is in your hands.

LOCKED BAG 8, GOSFORD NSW, AUSTRALIA 2250

P +61 2 4340 2044 F +61 2 4340 1991 | E njp1@njphillips.com.au