



- Fitted with sheep nozzle.
- Highly chemical resistant cylinder with moulded graduations.
- High-flow, blockage resistant valves.
- Easy to use dose adjustment system.
- Dual barb allows 3/8" (9mm) or 1/4" (6mm) bore feed tubes.
- Handles most products.

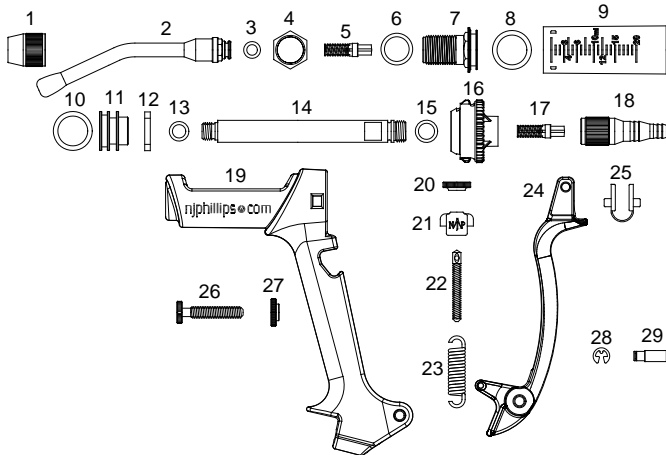


KIT NO.	PART NAME	PART NO.
WX1617	Minor Service Kit	3,5,6,8,10,11,12,13,15,17,23,25,28.
WX1618	Major Service Kit	3,5,6,8,9,10,11,12,13,15,16,17,23,25,28.
WX480	Sheep Nozzle	1,2.
WX1489	Feed Tube Adaptor	Not shown.
WX1629A	Feed Tube Adaptor Kit	Not shown.

PLEASE ORDER BY KIT AND PART NAME

MODEL	DOSE RANGE	INCREMENTS	CODE
20ml	1ml – 20ml	1ml	PAD1232
20ml plus 2.5L Backpack	1ml – 20ml	1ml	PAD1232C
20ml plus Cattle Nozzle & Easy-Off Injection Kit	1ml – 20ml	1ml	PASD1232

### PARTS BREAKDOWN



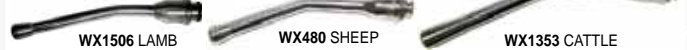
- |   |                                     |                                 |
|---|-------------------------------------|---------------------------------|
| 1. Nozzle Nut (SN4)                       | 15. Inlet Adaptor Seal Ring (SP127) | 28. Lever Pivot Pin Clip (SP83) |
| 2. Sheep Nozzle (SXN240)                  | 16. Push Rod Guide (SH1397)         | 29. Lever Pivot Pin (SM679)     |
| 3. Nozzle Seal Ring (SP1)                 | 17. Inlet Valve Assembly (WX291)    |                                 |
| 4. Delivery Cage Lock Nut (SN5)           | 18. Inlet Adaptor (SN451)           |                                 |
| 5. Delivery Valve Assembly (WX291)        | 19. Handle (SA72)                   |                                 |
| 6. Nozzle Nut Retaining Seal Ring (SP176) | 20. Adjustor Nut (SN60/N)           |                                 |
| 7. Delivery Valve Cage (SN496)            | 21. Adjustor Trunnion (SN14)        |                                 |
| 8. Cylinder Seal Ring (SP375)             | 22. Spring Adjustor Spindle (SN497) |                                 |
| 9. Cylinder (SH1193A)                     | 23. Return Spring (SP134)           |                                 |
| 10. Piston Seal Ring (SP375)              | 24. Lever (SA51/A)                  |                                 |
| 11. Piston Assembly (SH677)               | 25. Lever Pads (SP1210)             |                                 |
| 12. Lubricating Washer (SP8)              | 26. Dose Adjustor Screw (SN498)     |                                 |
| 13. Push Rod Seal Ring (SP801)            | 27. Dose Adjustor Lock Nut (SN499)  |                                 |
| 14. Push Rod (SN392)                      |                                     |                                 |

### NOZZLES AVAILABLE

#### POUR-ON



#### DRENCHING



#### INJECTING



#### FORESTRY / AGRICULTURE



#### FORESTRY / MARINE



### ACCESSORIES



Customise this instrument with your brand colour and logo. Contact us for details.



LOCKED BAG 8, GOSFORD NSW, AUSTRALIA 2250

P +61 2 4340 2044 F +61 2 4340 1991 | E njp1@njphillips.com.au