



- Compatible with most white and clear drenchers.
- Light weight and cost effective.
- Easy to clean accessible valves.



NOZZLES AVAILABLE

POUR-ON



SH1034/A SPOT
SH1526 FAN SPRAY



STREAM FAN SWIRL



'6' HOLE BACKLINER HEAD

DRENCHING



SN616 LAMB SN141 SHEEP

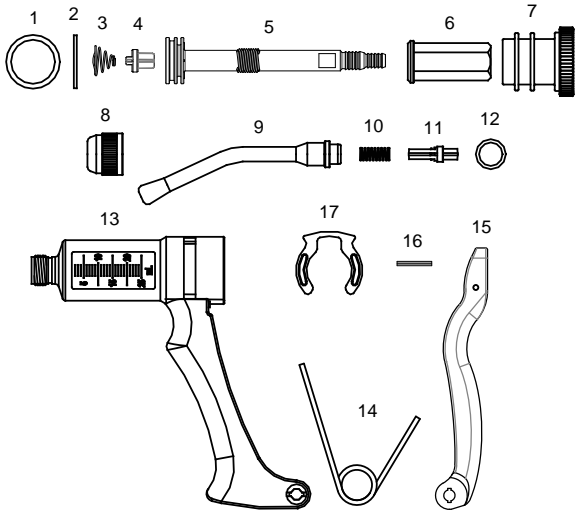
INJECTING



SXM616

MODEL	DOSE RANGE	INCREMENTS
25ml	1ml – 25ml	1ml

PARTS BREAKDOWN



- | | |
|---------------------------------|---------------------------------|
| 1. Seal Ring (SP708) | 10. Delivery Valve Spring (SP2) |
| 2. Lubricating Washer (SF32) | 11. Valve (SH130) |
| 3. Valve Spring (SP1475) | 12. Handle Seal Ring (SP340) |
| 4. Delivery Valve (SH1447/C4) | 13. Handle (SH1608/K15) |
| 5. Pushrod & Piston (SH1689) | 14. Return Spring (SP1412) |
| 6. Dose Adjustor Sleeve (SH606) | 15. Lever (SH1605/K15) |
| 7. Dose Adjustor (SH1519) | 16. Pin Roll Spring (SP1437) |
| 8. Nozzle Nut (SH1046) | 17. Retaining Clip (SH1504) |
| 9. Nozzle (SN141) | |

KIT NO.	PART NAME	PART NO.
WX1610	Minor Spares Kit	1,2,3,4,10(x3),11,12.
WX1629A	Feed Tube Adaptor Kit	Not shown.

PLEASE ORDER BY KIT AND PART NAME

ACCESSORIES

<p>SP1212 5L FULLY-FLEXIBLE BACKPACK</p>	<p>WX46 2.5L SEMI-FLEXIBLE BACKPACK</p>	<p>WX185 5L SEMI-FLEXIBLE BACKPACK</p>
<p>SP1009 BACKPACK HOLDER Holds 2.5 and 5 litre Backpacks.</p>	<p>SP1426 ARM PACK</p>	<p>WX1626 NOZZLE PROTECTION TUBES For sheep nozzle only (pack of 5).</p>



Customise this instrument with your brand colour and logo. Contact us for details.



njphillips.com
Our expertise is in your hands.

LOCKED BAG 8, GOSFORD NSW, AUSTRALIA 2250

P +61 2 4340 2044 F +61 2 4340 1991 | E njp1@njphillips.com.au